

### AXS-320T-LD

(Equivalent to an FTTH Flowerpot 10" Round Vault)

## SPECS AND TECHS: AXS-320T-LD ACCESS POINT / FLOWERPOT

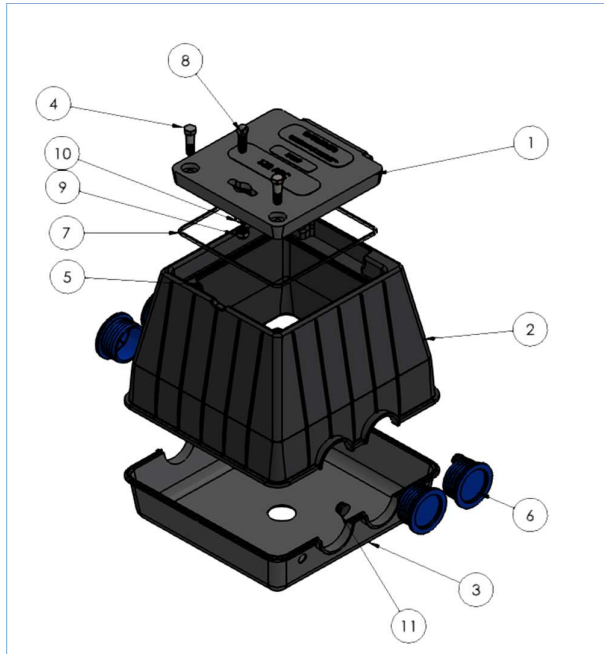
### DESCRIPTION:

The AXS-320T-LD is a purpose designed mini access box, or boundary box, that will cater for low fiber count connections. The AXS-320T-LD is normally used to connect MDU's or single use Clients from the network.

### FEATURES AND BENEFITS:

- Ideal for low density traffic installations. Depending on splitter configuration, up to 12 clients can be connected.
- The unit can be split between base or pan and chamber section to allow installation over existing networks.
- Low surface footprint unit 8.4" x 8.4" [213mm x 214mm]
- No tools required for assembly - press-on clips complete the assembly.
- Duct ports are sealed with rubber grommets allowing interface with multiDuct and/or microDuct. No foaming agent or additional sealants are required.
- Knock-down design allows high packing density for transport savings.





ITEM	PRODUCT CODE	AXS-320T-LD
1.	320TNF-LIDBOLTD	PP, UV stabilised (Black) Lid
2.	320TNF-TOPBOLTD	PP, UV stabilised (Black) Top
3.	320TNF-BASE	PP, UV stabilised (Black) Base
4.	FS031	7/16" Bolt (Locking)
5.	FS51	7/16" Nut
6.	REDPLUG50	2.4" Reducer Coupling (Optional)
7.	320TNF-ORING	320TO-Ring
8.	FS034	Lifting Eye (M10)
9.	FS016	M10 Lock Nut
10.	FS036	M10 Washer
11.	320T-GROMMET	Rubber Grommet



ITEM	PRODUCT CODE	AXS-320T-LD
1.	320TNF-LIDBOLTD	PP, UV stabilised (Black) Lid
2.	M4A-NL	Nylon Lock
3.	320RSEAL	6mm NBR O-Ring
4.	320TNFCOMPBO LT	PP, UV stabilised (Black) Top
5.	320TNF-BASE	PP, UV stabilised (Black) Base
6.	320TCLIPS	Nylon Clips
7.	320TCAPS	PVC End Cap

AXS-320T-LD	
<b>Weight lbs/KG</b>	5.5lbs [2.5kg]
<b>Load Class:</b>	
<b>ANSI</b>	Light Duty Application

LOADING QTY'S (PRODUCT CODE)	40' CONTAINER [12M]
AXS-320T-LD	3,240

## **INSTALLATION INSTRUCTIONS:**

As with all structures, proper installation and backfilling are critical. Improper installation practices may lead to failure. All practices should comply with OSHA, State, Federal regulations.

### **STEP 1 - BEDDING**

Vault should be placed on a minimum of 6" of properly compacted, free draining material. ¾" washed stone or sand is recommended.

### **STEP 2 - BACKFILLING**

Backfilling around vault should be done uniformly around vault in 3"-4" lifts. Material should be properly compacted to meet project specifications; excessive mechanical compaction should be avoided.

February 2023