

AXS-320T-S-LD
 (Equivalent to an FTTH Flowerpot 10" Round Vault)

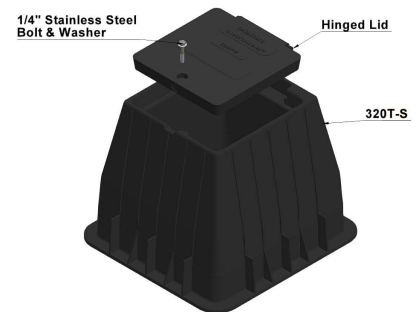
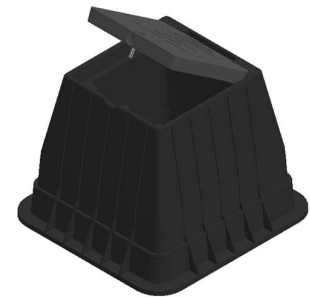
SPECS AND TECHS:
AXS-320T-S-LD ACCESS POINT / BOUNDARY BOX

DESCRIPTION:

The AXS-320T-S-LD is a purpose designed drop access vault, that will cater to low fiber count connections. The AXS-320T-S-LD is normally used to connect single family homes and MDU's to the network.

FEATURES AND BENEFITS:

- Ideal for low density traffic installations. Depending on splitter configuration, up to 12 clients can be connected.
- Low surface footprint of 9.24" x9.24" [235mm x235mm].
- No tools required for assembly.
- PP, UV Stabilized (Black) Lid and Body.
- Hinged, slide-in lid, with 1/4" single stainless-steel bolt-down locking mechanism.
- Branding: Fiber Optic, custom branding available upon request.



ITEM	PRODUCT CODE	AXS-320T-S-LD
HINGED LID	320TSS-LIDBOLT	PP, UV stabilized (Black)
BOLT DOWN	FS058	1/4" Stainless Steel Bolt
CHAMBER	320TSS-TOPBOLT	PP, UV stabilized (Black)

AXS-320T-S-LD	
Weight lbs/KG	5.3lbs [2.4kg]
Load Class:	
ANSI	Lite Duty, 1,500lbs (700kg) Downward Point load with 5.9" (150mm) footprint. For use in non-vehicular traffic situation only. Actual load rating is determined by box and lid combination.

LOADING QTY'S (PRODUCT CODE)	PALLET	40' CONTAINER [12M]	53' SEMI-TRAILER
AXS-320T-S-LD	360	3,600	4,480

INSTALLATION INSTRUCTIONS:

As with all structures, proper installation and backfilling are critical. Improper installation practices may lead to failure. All practices should comply with OSHA, State, Federal regulations.

STEP 1 - BEDDING

Vault should be placed on a minimum of 6" of properly compacted, free draining material. ¾" washed stone or sand is recommended.

STEP 2 - BACKFILLING

Backfilling around vault should be done uniformly around vault in 3"-4" lifts. Material should be properly compacted to meet project specifications; excessive mechanical compaction should be avoided.

February 2023