

## MAX-10 PEDESTAL

### SPECS AND TECHS:

#### DESCRIPTION:

The Max-10 Pedestal is the Swiss Army knife of pedestals! The Max 10 has a multi-role back plane with configurations for mid-span access and direct splice drops, pre-terminated drops for both MIDCOUPLERS or hardened drop's. The Max-10 can also be configured with a universal mounting bracket for MST's or Fiber Box applications. This rugged and contractor friendly pedestal is a game changer in the FTTX world!

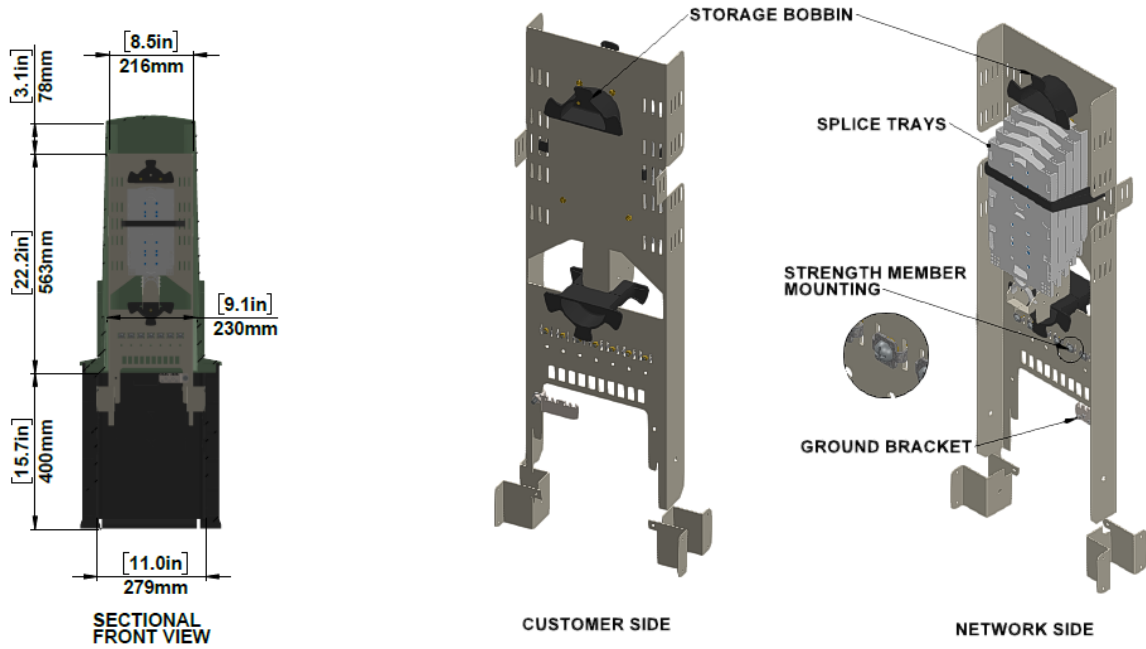
#### KEY FEATURES:

- Rugged Ped Base will not heave or shift due to the waffled exterior.
- No Ped Stake required.
- 14"x17" base can house slack drop cable.
- Removable front panel allows for easy installation of conduit or direct bury fiber
- Rodent proof lid and collar.
- Multi Use Back Planes; Direct splice, Connectorized SC/APC and Hardened drop, MST's or Fiber Box.



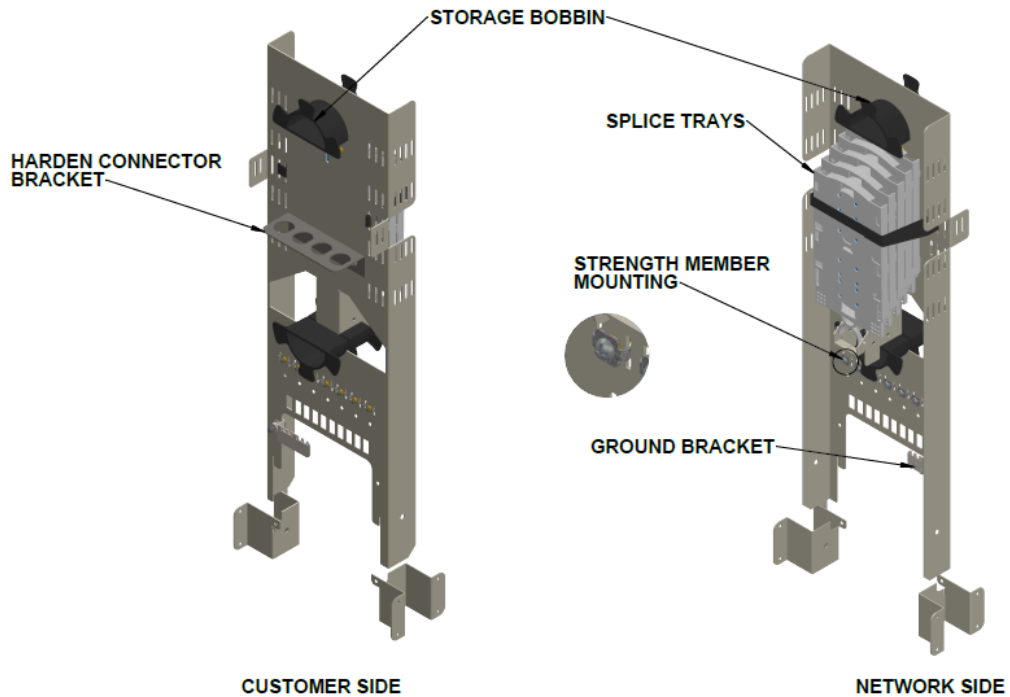
#### PERFORMANCE:

- Meets UL 94 Flammability requirements.
- Max 10 Pedestal can go to as low as -40°F [-40°C] in extreme conditions.
- Heat deflection temperature (HDT) under a load of 264psi [1.8 MPa] at 248°F - 356°F [120°C-180°C].
- Deflection temperature @ 1160psi [8MPa] at 176°F - 302°F [80°C-150°C].

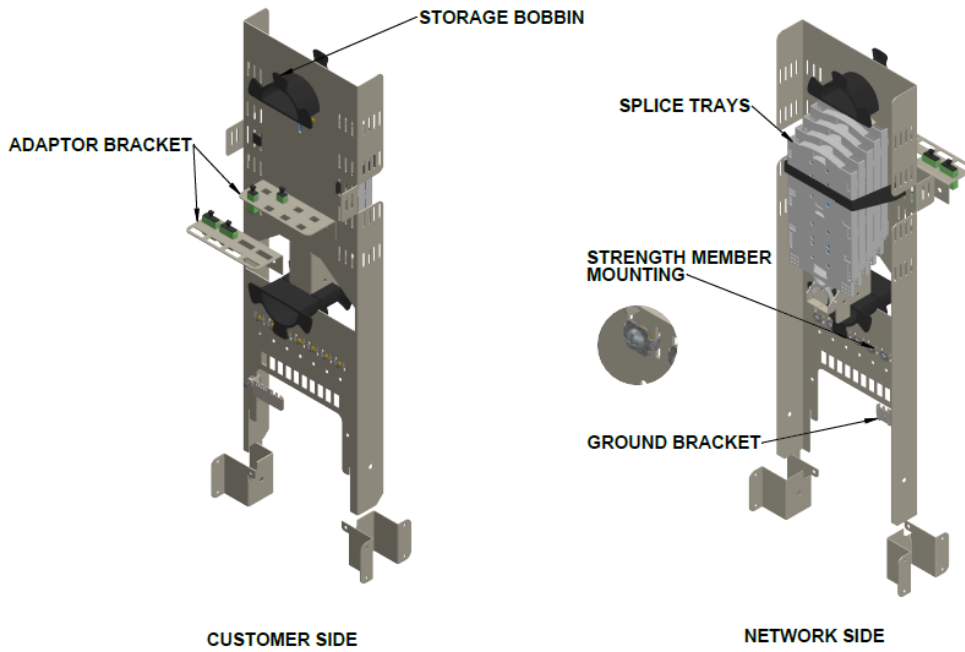


**MAX-10-DS**  
(Direct Splice)

\*\*\*\*\*

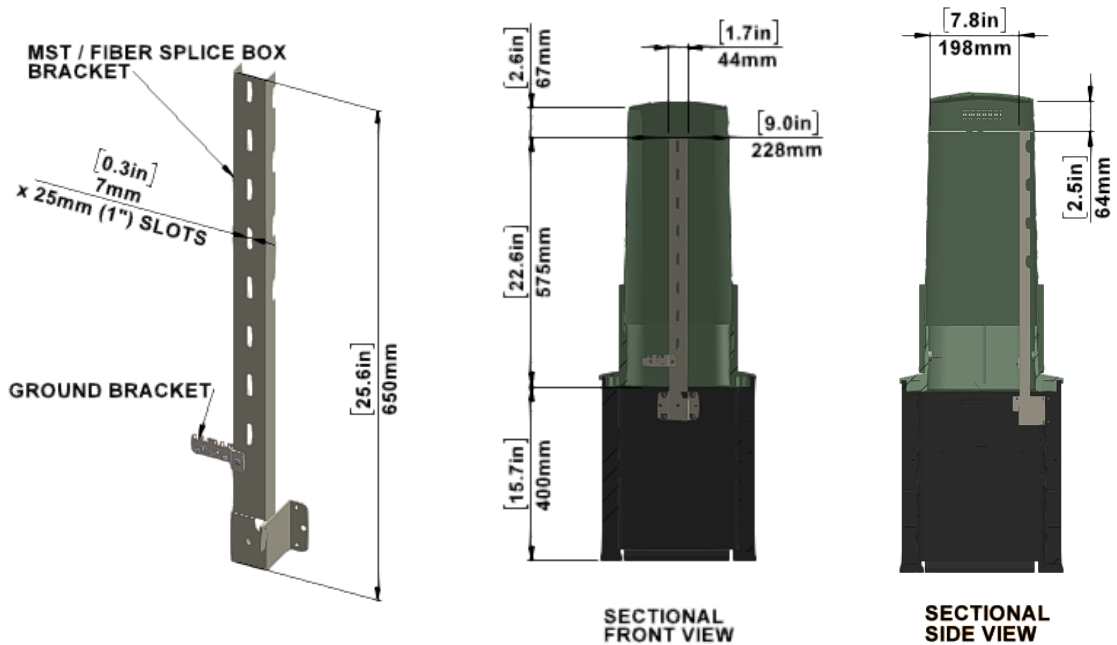


**MAX-10-DS/OPTI**  
(Hardened Drop)

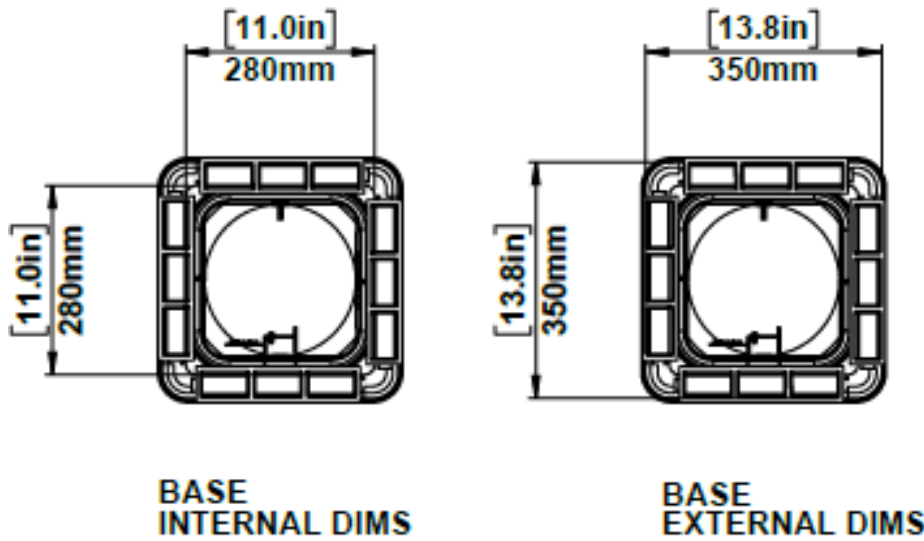


**MAX-10-SC/APC**  
(Simplex or Duplex SC/APC)

\*\*\*\*\*



**MAX-10-MST/FB**  
(Universal Mounting Arm)



**Weight:** 27.6 lbs/12.5kg

**Qty/Pallet:** 48

### **INSTALLATION INSTRUCTIONS:**

As with all structures, proper installation and backfilling are critical. Improper installation practices may lead to failure. All practices should comply with OSHA, State, Federal regulations.

#### **STEP 1 - BEDDING**

Base should be placed on a minimum of 6" of properly compacted, free draining material.  $\frac{3}{4}$ " washed stone or sand is recommended.

#### **STEP 2 - BACKFILLING**

Backfilling around base should be done uniformly in 3"-4" lifts. Material should be properly compacted to meet project specifications; excessive mechanical compaction should be avoided.