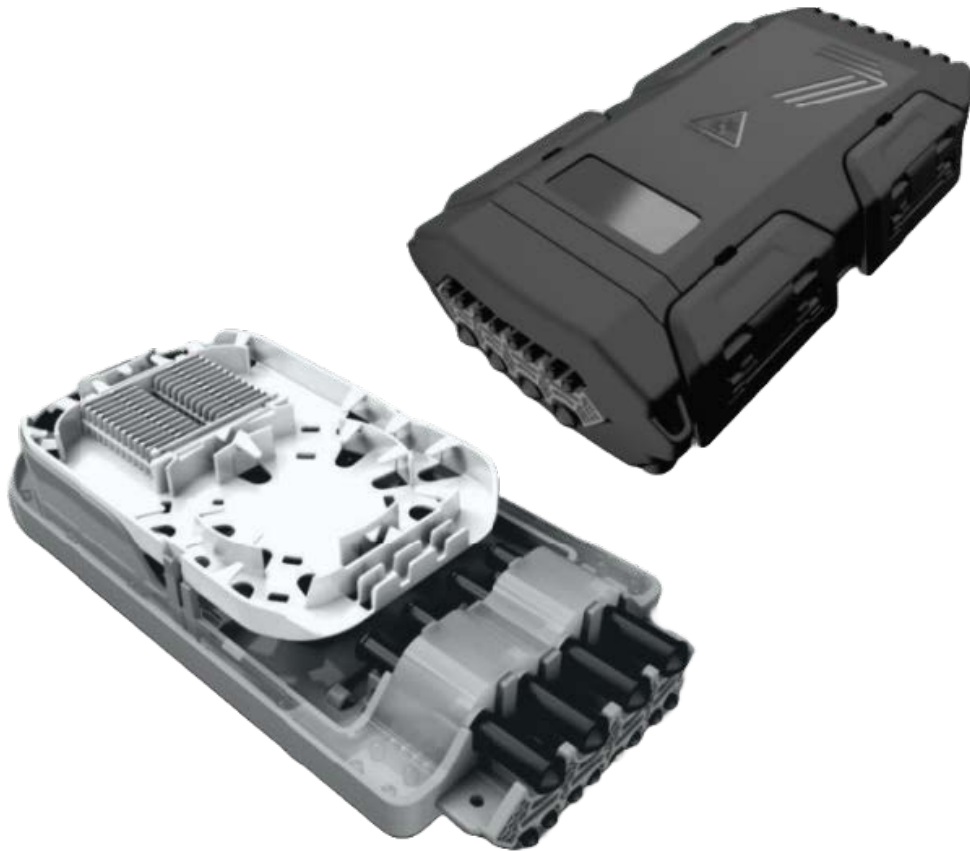


# M-8 Splice Enclosure

Up to (48) Splices & (2) Splitters



Rendering for Schematic Purposes Only

## Part Numbers:

30-10035.00H - M-8 Splice Case

30-10037.00H - M-8 Splice Case w/4 LC/APC Duplex Adapters

30-10038.00H - M-8 Splice Case w/4 SC/APC Adapters & 1x4 Splitter

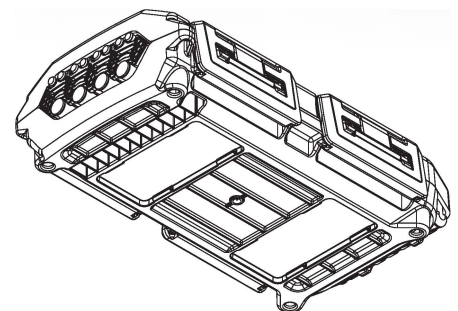
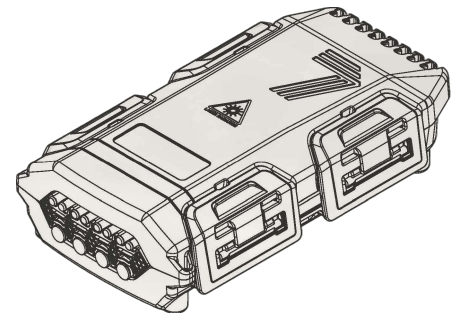
## CONTACT & INFORMATION:

Tel: (920) 328-1020 Email: [sales@raddnetwork.com](mailto:sales@raddnetwork.com) Website: [RaDDNetwork.com](http://RaDDNetwork.com)

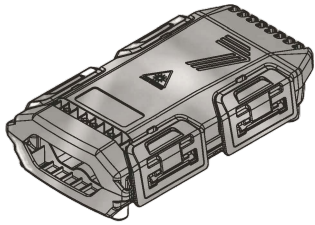
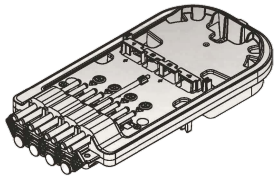
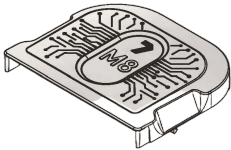
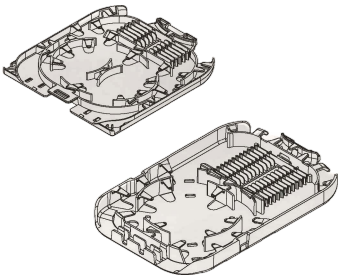
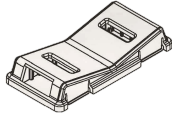



Technical Specifications:

NETWORK CABLE PORT CAPACITY	4x Input network cables <b>terminated</b> or a mid-span loop
NETWORK CABLE DIAMETERS	0.19" - 0.41"(5.0mm - 10.5mm)
DROP CABLE PORT CAPACITY	8x Drop cables
DROP CABLE DIAMETERS	0.08" - 0.24"(2.0mm - 6.0mm)
NUMBER & TYPE OF ADAPTERS	4x SC Simplex flanged/flangeless or 4x LC Duplex flanged/flangeless
SPLICE CAPACITY	2x 12F splice trays (6 splice protectors double stacked per tray)  OR 1x 48F splice tray (12 splice protectors double stacked on 2 stacked splice bays)
SPLICE PROTECTOR TYPE	0.08" x 177"(2.2mm x 45mm)
SPLITTER CAPACITY	SpliceTray options allow for 2x PLC splitter bays for small-form modules with dimensions of 0.1"x0.1"x1.57" or 0.1"x0.27"x2.36" (4x4x40mm or 4x7x60mm)
NETWORK CABLE FIBER STORAGE CAPACITY	Approximately 39.3'(1.0m) of up to 4 elements with a maximum diameter of 0.09"(2.3mm)
DIMENSIONS	10.1" x 5.7" x 3"(HxWxD) 257mm x 145mm x 76mm(HxWxD)
OPERATING TEMPERATURE	-4° F to +122° F(-20° C to +50° C)
INGRESS PROTECTION	IP68
MATERIAL	Outer casing - PPGF Internal assemblies - ABS Seal - TPE
COLOR	Casing - Black SpliceTrays - White

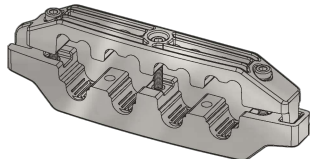


**What is Included:**

1x	BASELINE M8 ENCLOSURE	
1x	FIBER MANAGEMENT TRAY WITH INTEGRATED, OVERMOULDED SEAL	
1x	FIBER MANAGEMENT TRAY REAR COVER	
1x	SPLICE TRAY OPTIONS: 2X -12F SPLICE TRAY (24F TOTAL) 0.08" X 1.77" (2.2mm X 45mm SPLICE BAY SIZE)*  -1X 48F SPLICE TRAY 0.08" X 1.77" (2.2mm X 45mm SPLICE BAY SIZE)*	
2X	POLE MOUNT BRACKET	
12x	ZIP TIES 5.9" x 0.13" (150mm x 3.5mm)	
1x	SINGLE SIDED FOAM TAPE - 9.8" (Q50mm) LENGTH	

\*SPLICE PROTECTORS NOT INCLUDED

**Optional Extras:**

1x	DUCT CLAMP KIT	
----	----------------	---